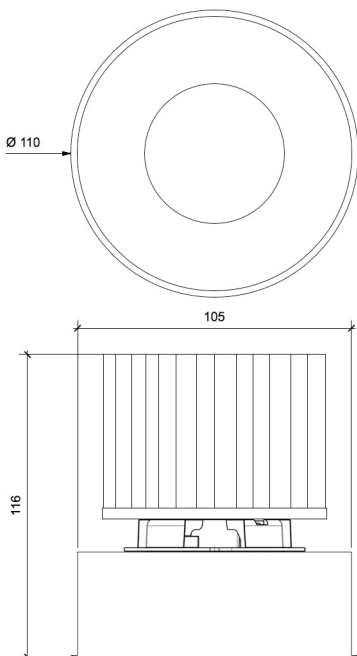


# SYRMA 111

Syrma 111 is a trimless recessed lighting fixture suitable for applications in low false ceilings thanks to its thin thickness. The lighting source is placed very backwards from the edge in order to reduce the dazzling. Such curved inwards piece is created with a shape that blends the light projection.



## Mechanical features

Body: anodized or painted  
 Color: any color and coating  
 Cooling: natural convection  
 Front: PMMA  
 Dimensions:  $\varnothing$  110x116 mm  
 Weight: 0,75 kg  
 IP grade: IP 20  
 Recessed hole:  $\varnothing$  106mm

## Electrical features

Vac: 220 50/60 Hz  
 Power: 24 W  
 Consumption: 27W

## Lighting features

Lighting source: COB LED  
 Color temperature: from 2200°K to 6000°K  
 Luminous flux: 2950 lm (3000°K)  
 CRI: from 70 to 97  
 Optics: 25° - 45° - 60° - asymmetric - wall washer

