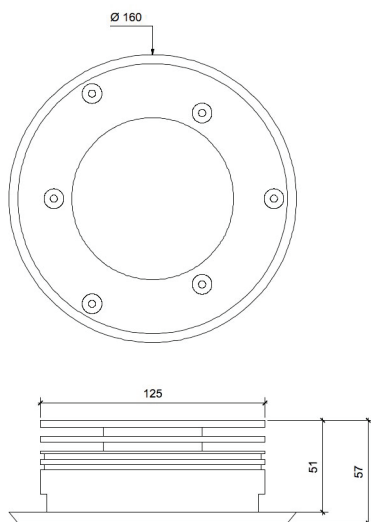
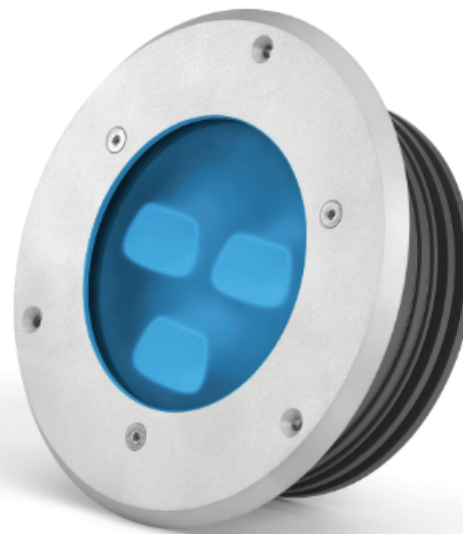


# ARIEL

Ariel is a lighting fixture to apply in swimming pools and fountains thank to its certified IP 68 protection.

The part in direct contact with the water is in inox steel AISI 316L, in order to resist to chlorine and salt.



## Mechanical features

Body: 80 micron anodizing

Color: grey

Cooling: natural convection

Front: PMMA and AISI 316L INOX steel

Dimensions:  $\varnothing$  160x57 mm

Weight: 1,75 kg

IP grade: IP 68

Recessed hole:  $\varnothing$  126 mm

## Electrical features

Vdc: 24 V

Power: 25 W

Consumption: 29 W

## Lighting features

Luminous source: high power LED

Color temperature: RGBW (white 4000°K)

Luminous flux: 1430 lm

CRI: white 70

Optics: asymmetric

Variants: vary white

