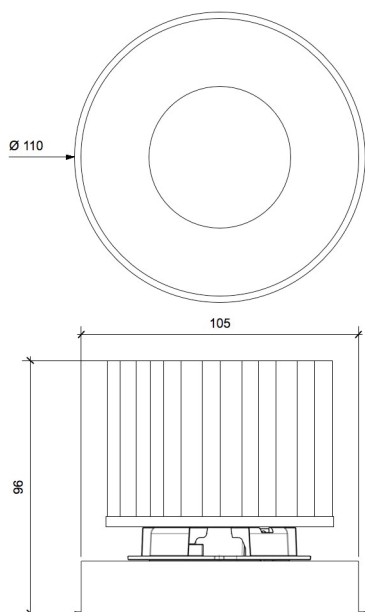


SYRMA 111

B

Syrma 111-B is a trimless recessed lighting fixture suitable for applications in low false ceilings thanks to its thin thickness. The lighting source is placed slightly backwards from the edge in order to use asymmetric optics (wall-washer, double wall-washer and elliptical). The piece curved inwards is created with a shape that blends the light projection.



Mechanical features

Body: anodized or painted
 Color: any color and coating
 Cooling: natural convection
 Front: PMMA
 Dimensions: \varnothing 110x96 mm
 Weight: 0,55 kg
 IP grade: IP 20
 Recessed hole: \varnothing 106mm

Electrical features

Vac: 220 50/60 Hz
 Power: 24 W
 Consumption: 27W

Lighting features

Lighting source: COB LED
 Color temperature: from 2200°K to 6000°K
 Luminous flux: 2950 lm (3000°K)
 CRI: from 70 to 97
 Optics: 25° - 45° - 60° - asymmetric - wall washer

