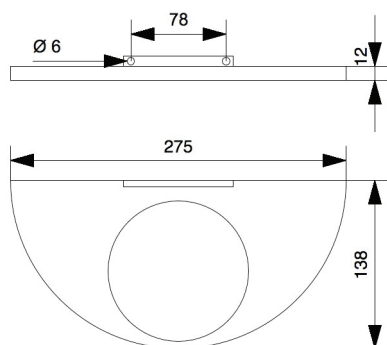


LYRA C

LyraC is a semi-circular and thin lighting fixture to apply on the wall. Its minimal design is versatile: it integrates in the environment or emphasizes specific particulars according to the context. Lyra's range can be customized not only in the technical features but also in the look as the external structure can be modified with every treatment and color.



Mechanical features

Body: anodized or painted

Color: any color

Cooling: natural convection

Front: PMMA

Dimensions: 138x275x12 mm

Weight: 1,00 kg

IP grade: IP 20

Fixing: wall

Electrical features

Vac: 220 V 50/60 Hz

Power: 20 W

Consumption: 23 W

Lighting features

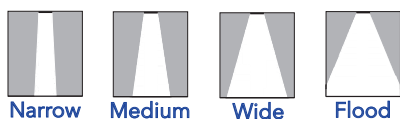
Luminous source: high power LED

Color temperature: from 2700°K to 5000°K

Luminous flux: 2050 lm (4000°K)

CRI: from 70 to 90

Optics: 120°



Narrow

Medium

Wide

Flood